

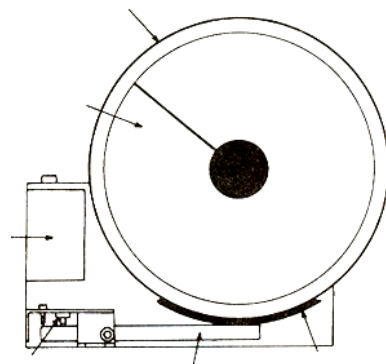
**EG60641- Precision Agriculture Technology**  
**Feedback Quiz: Mapping and Yield Monitoring (Open Book)**

**Total Points 10**

Name:

ID:

1. Please list the criteria which included in crop management system?
  
  
  
  
  
  
  
  
  
  
2. What are the combine functions?
  - a) Gathering and cutting the material
  - b) Thresh, separate, clean chaff and debris and handle the grain
  - c) a and b
  - d) None of the above
  
3. Methods for measuring crop yield is weight/area. (True/False)
4. Instantaneous yield monitor sensors are not measuring the grain flow but calibration with batch-type method. (True/False)
  
  
5. Yield monitoring components are: (.....), (.....)  
(.....),(.....) and (.....)
  
  
6. Please write the main parts of load cells.



7. What are the external inputs to data set?

8. What yield maps can reveal?

9. Please circle the formula of the conversion of mass flow to yield

a.  $\frac{M}{W \times P} Y = \frac{m(100 - M)}{S \times d \times x}$

b.  $\frac{M}{W \times P} Y = \frac{m(100 - S)}{S \times d \times x}$

c.  $\frac{S}{W \times P} Y = \frac{m(100 - S)}{S \times d \times x}$

10. Radiometric system only include equilibrium constant and material blocks. (True/False)